

Check Valves

CV series



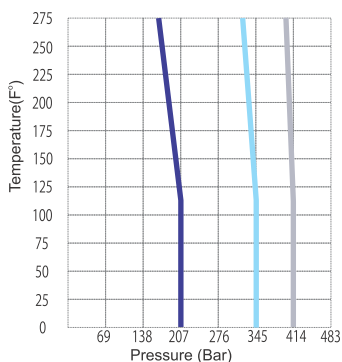
Features

- Poppet and Soft Seat Design gives a LEAK TIGHT seal and increase Flow capacity
- Available with HAVI Tube Fittings Male and female NPT and various other End connections
- Fixed Cracking Pressure from 1/3, 1, 5, 10, 25, 50, 75, 100 psig
- 100% factory Tested
- Available in variety of Material of Construction

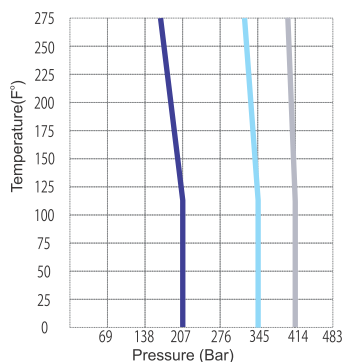
Technical Specifications

- Orifice : 0.078" to 0.656: (2mm to 16.7mm)
- Cv factor : 0.18 to 6.56
- Pressure Rating:
 - Stainless Steel 316 : 1/8" to 3/4" - 6000 psig (414 Bars)
 - Stainless Steel 316 1" - 5000 psig (345 Bars)
 - Brass : 1/8" to 1" - 3000 psig (207 Bars)
- Temperature :
 - Flurocarbon - 400 F (204 C)
 - Buna-N - 275 F (135 C)
 - Neoprene Rubber - 250 F (121 C)

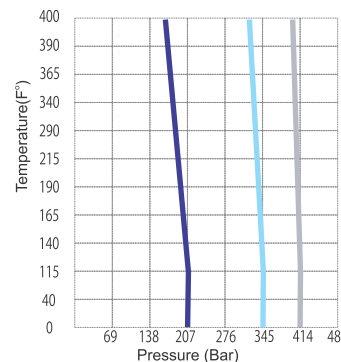
Pressure Temperature Rating



**C Series Check Valves
Buna-N Seat**



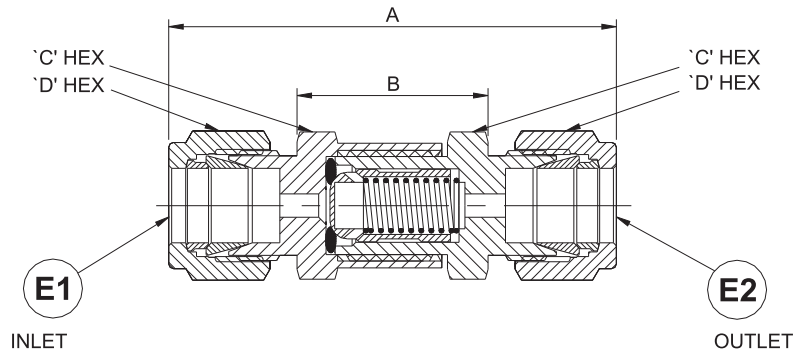
**C Series Check Valves
Neoprene Seat**



**C Series Check Valves
Fluorocarbon Seat**

■ Brass
■ SS 316
■ SS

Check Valves



End Conn.	Part No.	Conn Size		Dimensions in mm				
		E1	E2	A	B	C	D	O
Havi Tube Fitting	CV-4T	1/4 T	1/4 T	62	26	22	14	4.7
	CV-6T	3/8 T	3/8 T	65	26	22	22	4.7
	CV-8T	1/2 T	1/2 T	90	46	25	22	9.1
Female Pipe Thread	CV-4F	1/4 F	1/4 F	61	-	22	-	4.7
	CV-6F	3/8 F	3/8 F	77	-	25	-	9.1
	CV-8F	1/2 F	1/2 F	90	-	32	-	11.5
	CV-2F	1/8 F	1/8 F	51	-	19	-	4.7
Male Pipe Thread	CV-4M	1/4	1/4	55	26	22	-	4.7
	CV-6M	3/8	3/8	75	46	25	-	9.1
	CV-8M	1/2	1/2	90	52	32	-	11.5
	CV-2M	1/8	1/8	45	26	16	-	3.2

Ordering Information

CV-8F

- 8F -

S6

vipal enterprises pvt. ltd.

Registered Office:
302, Chandralok - A,
97, Nepeansea Road,
Mumbai 400006.
India
Tel.: +91 22 32656565
Email: sales@havi.in

Works:

32, 34, Blue Chip No.5 Industrial Estate,
Opp Professional Courier,
Sativali Road, Vasai (East),
Thane 401208, Maharashtra,
India
Tel.: +91 22 32656565
Fax: +91 250 3027271
Email: sales@havi.in

Website: www.havi.in

Part Number
With first End Conn.

F - Female NPT
T - Tube Fitting
M - Male NPT
IP - ISO Parallel
IT - ISO Tapered

S6 - Stainless Steel 316
S6L - Stainless Steel 316L
B - Brass
C - Carbon Steel
M - Alloy 400
H - Alloy C276
T - Titanium

Second End Connection

Material of Construction